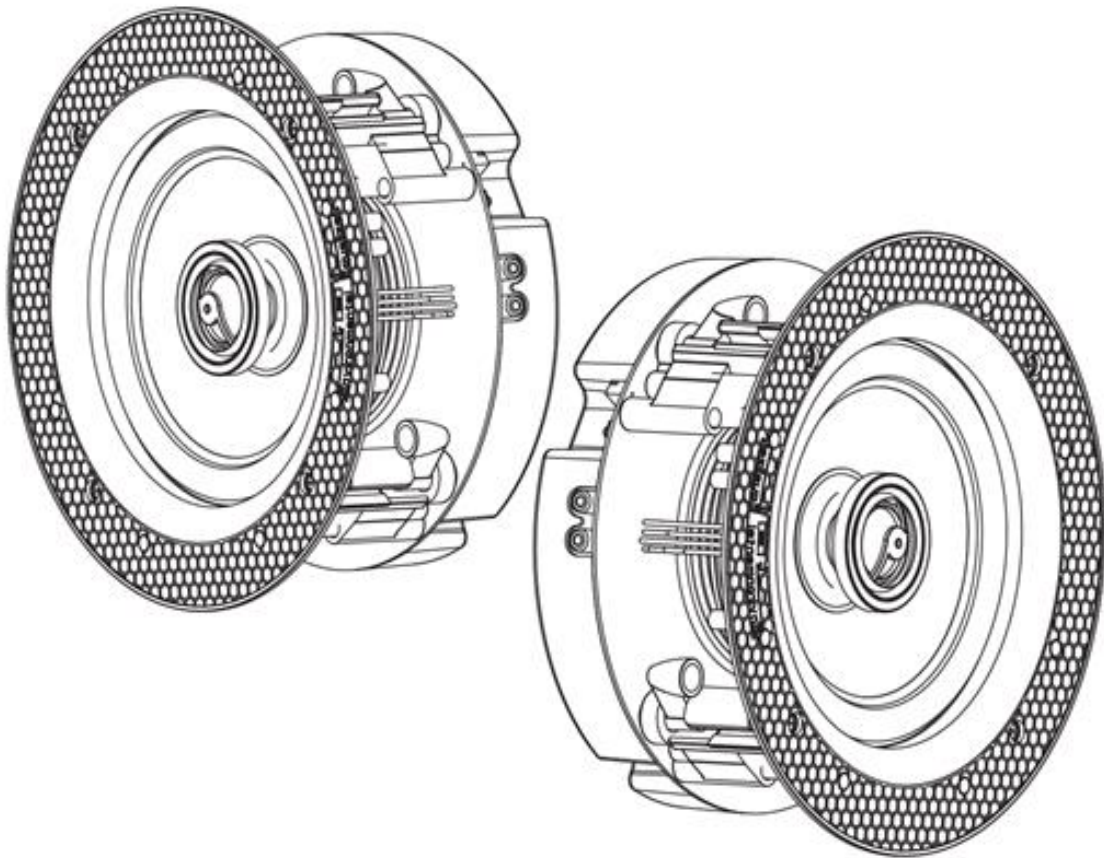


pure acoustics®

Wireless Multi Room In-ceiling Speaker System Model # WIC-240



User Manual
&
Safety Guide

Thank you for choosing Pure Acoustics. We hope you enjoy each and every use of this product. We suggest that you read this user manual carefully before primary use in order to utilize all of the features in functions installed. Please store it in a safe place for future reference and pass it on to the next owner.

Caution & Safety Guide:

Please power off the unit when not in use. If the unit will not be in use for extended periods it is suggested that you disconnect the unit from its power source.

To prevent damage to the unit do not install in areas of extreme heat or in areas with direct exposure to sunlight.

Don't install the unit in or near a place where it may come in contact with rain, moisture or other liquids.

Install the unit on a horizontal, flat and firm surface with good ventilation. Never block the speaker, blocking these vents may cause damage to the speaker as a result of overheating.

To clean the unit, simply wipe it down using a dry, soft cloth. The unit should never be cleaned chemicals or detergent.

In the rear occurrence of malfunction do not attempt to repair the unit on your own.

Contact a certified service professional for a proper diagnosis and repair.

Caution: Dismantling the unit on your own is dangerous and may cause damage to your person or property and will void the warranty.



The lightning flash is intended to alert the user to the presence of dangerous voltage within the product's enclosure and touching the internal components may result in electric shock to your person.



The exclamatory mark is intended to alert the user to the presence of important operating instructions.



To reduce the risk of electric shock or fire, do not remove the cabinet cover simply contact a service professional.

Specification

Wi-Fi feature:

- Built-in Wi-Fi
- Wireless network compatibility 802.11b/g/n
- Support online audio streaming media
- Support audio format: MP3/WMA/AAC/ACC/ACC+/ALAC/APE/WAV

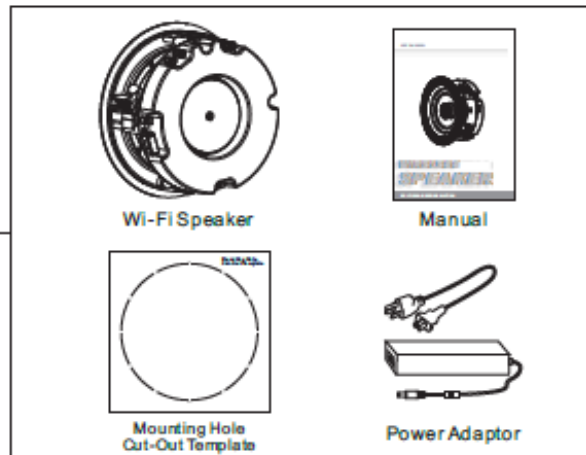
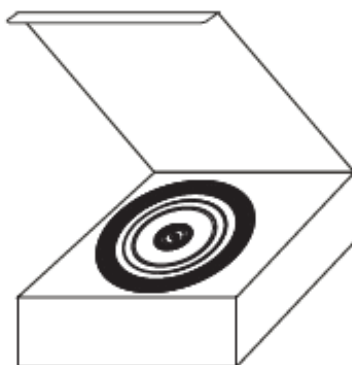
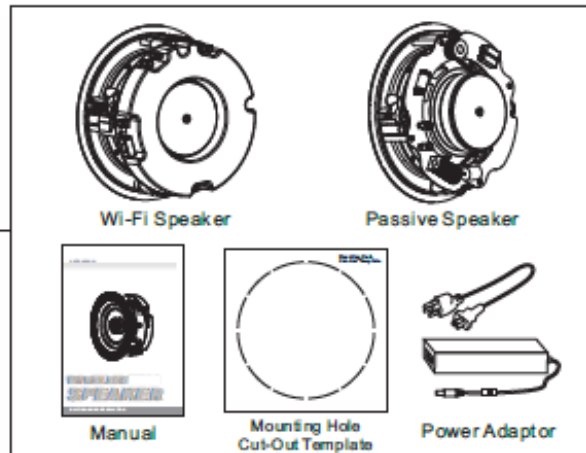
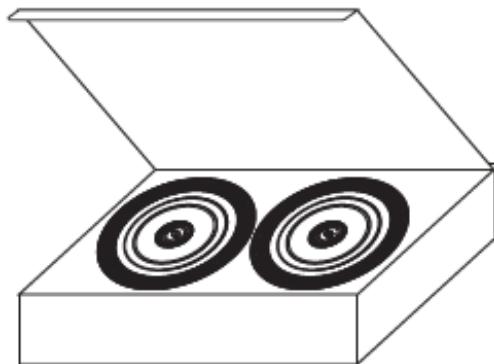
Amplifier feature:

- Type: Class D(digital)
- RMS Power:2*50W/8ohm
- Power input :DC24V/5A

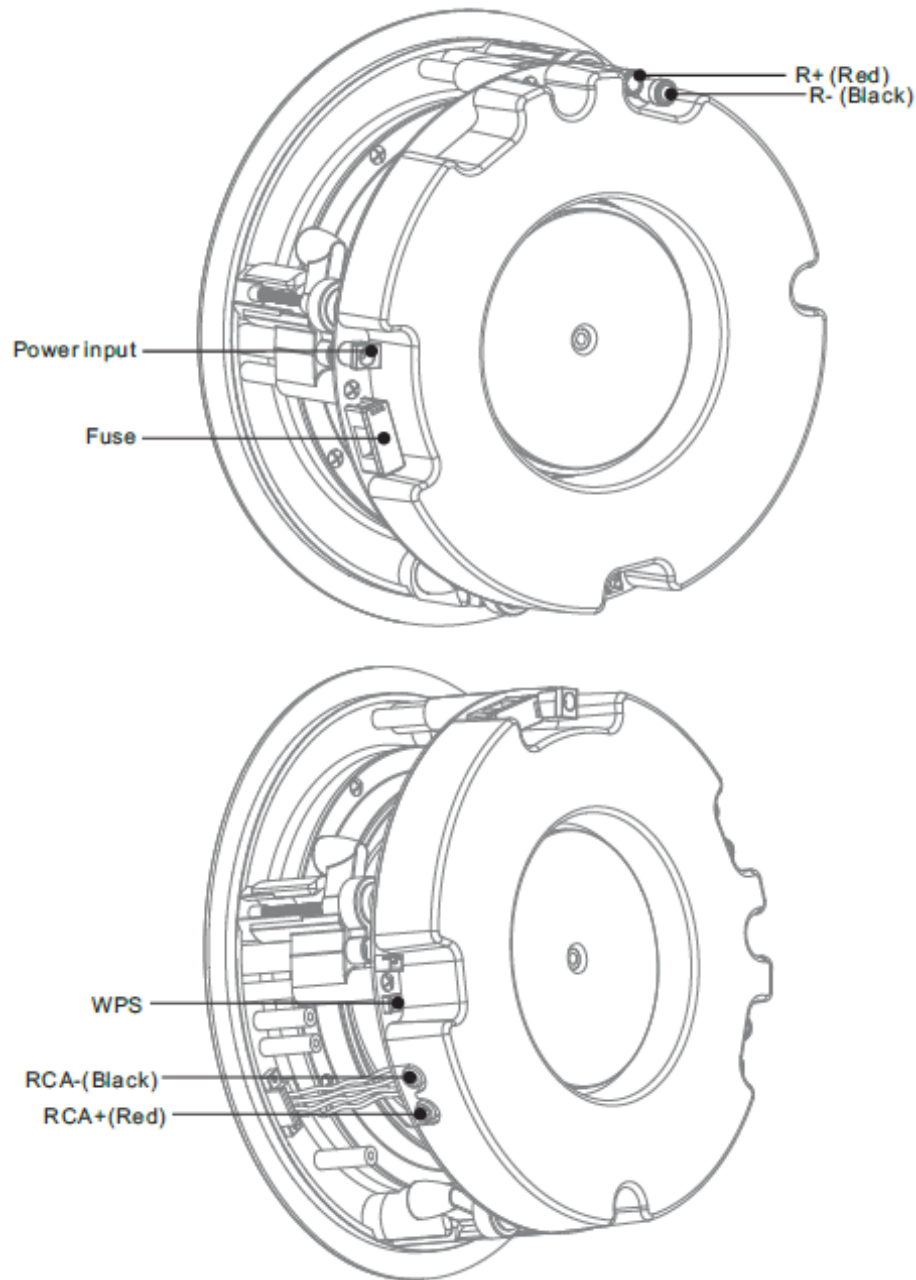
Speaker:

- Frequency response:65Hz-20KHz
- RMS power:60W
- Impedance:8 ohms
- Sensitivity(1w/1m):90dB
- Woofer:6.5"Kevlar woven cone
- Tweeter:1.2" Titanium dome
- Treble attenuation:+3dB/-3dB

Package Contents



Parts Of The Wi-Fi Speaker



R+(Red) R-(Black): to link passive speaker to stream stereo sound.

RCA: to connect with your home TV set.

Power input: connect with DC adaptor to offer power supply for the speaker.

Fuse: safety device for the Wi-Fi speaker, to offer overload protection.

WPS: the trigger to configure multi-room music network or restore the device to original default settings.

Controller Application Installation

Search and download the “**Smartsonix**” application on your Smartphone, Tablet or other wifi enabled device or scan the QR barcode below that matches your operation system



For Apple devices:

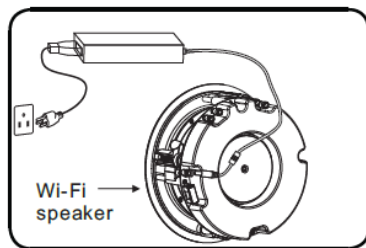


For Android devices:

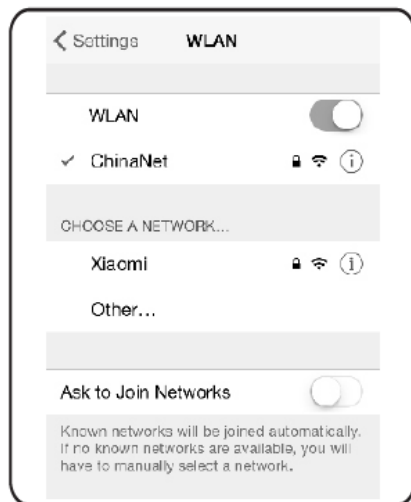
Pre Installation Test

***It is strongly suggested that you connect the speakers prior to having them installed in order to insure proper functionality ***

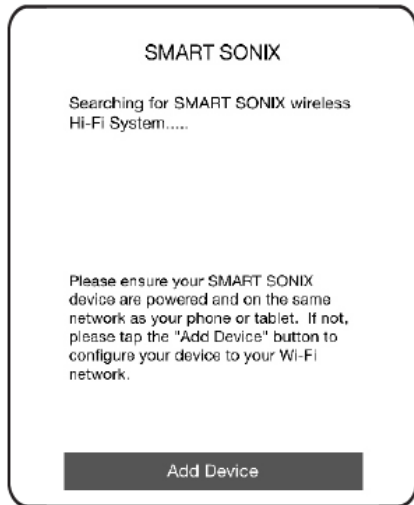
1. Connect the wifi speaker to a power supply using the included adapter



2. Switch your Smartphone or other mobile device's wifi feature on



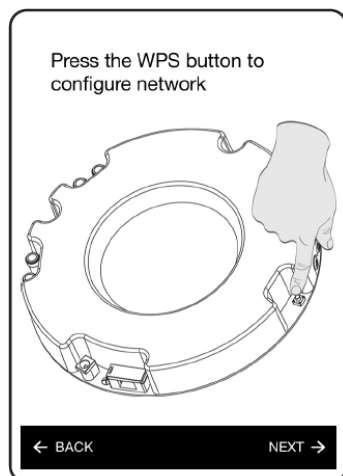
3. Open the **“Smartsonix”** application and click **ADD DEVICE**



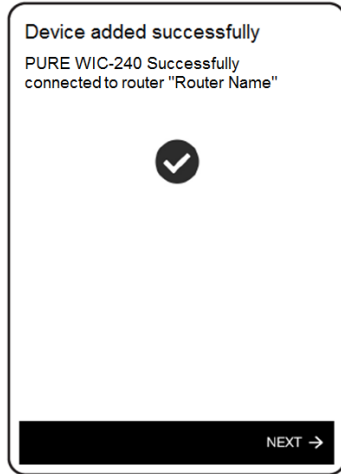
4. Enter your routers password (make sure the router is on and in range) and click next



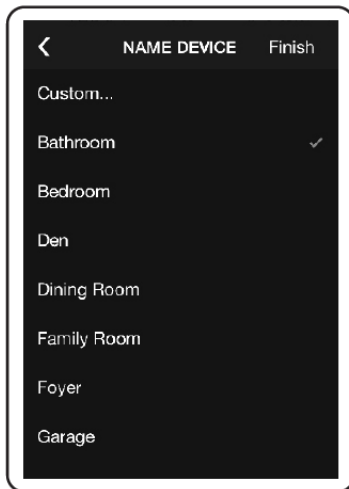
5. Press the WPS button on the back of the speaker in order to configure the network



6. A progress diagram will appear, when complete the speaker will automatically connect
6a. if the device fails to connect repeat steps 4 and 5



7. Name the speaker according to the room it will be installed in (i.e. living room, kitchen)



8. The configured speaker/s will appear in the device list indicating the network has been successfully established.



9. Select a speaker from the list and play a song using the connected wifi enabled device.

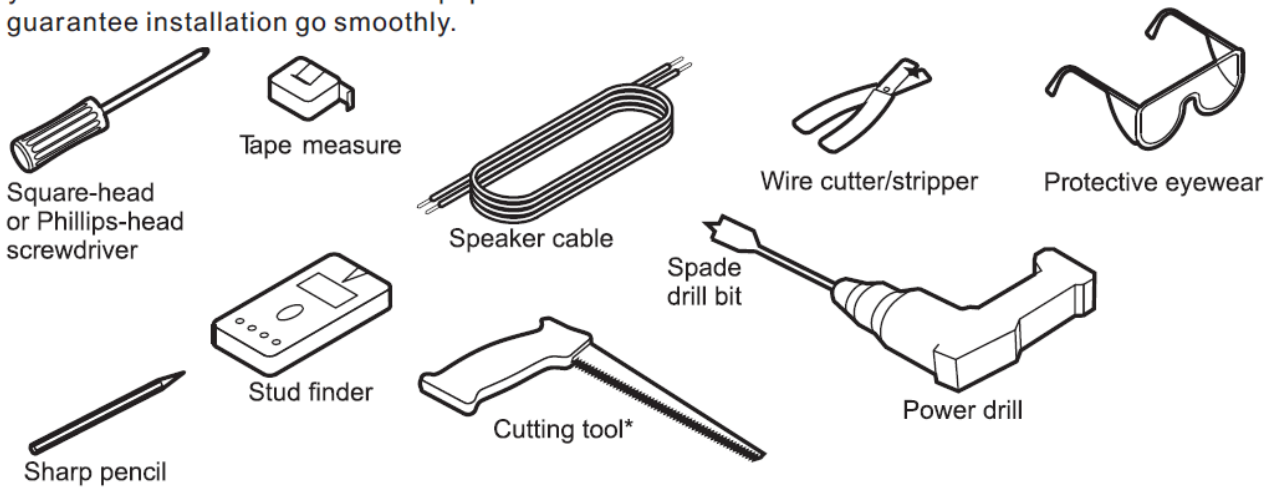


Necessary Wifi Speaker Installation Tools

Wi-Fi Speaker Installation

Equipment you will need:

Besides template that is included in the box, you must have a ladder and the equipment shown below to guarantee installation go smoothly.



Once again we thank you for purchasing the WIC-240 wireless multi-room in-ceiling speaker system. It is our hope that you enjoy this product every time it is put to use therefore, we suggest that you keep this user manual safe for future reference and so it may be passed on to the next owner.

Please feel free to visit our website www.pure-acoustics.com for information on this product as well as hundreds more.

Enjoy!

pure acoustics®